

© 2007 STMicroelectronics

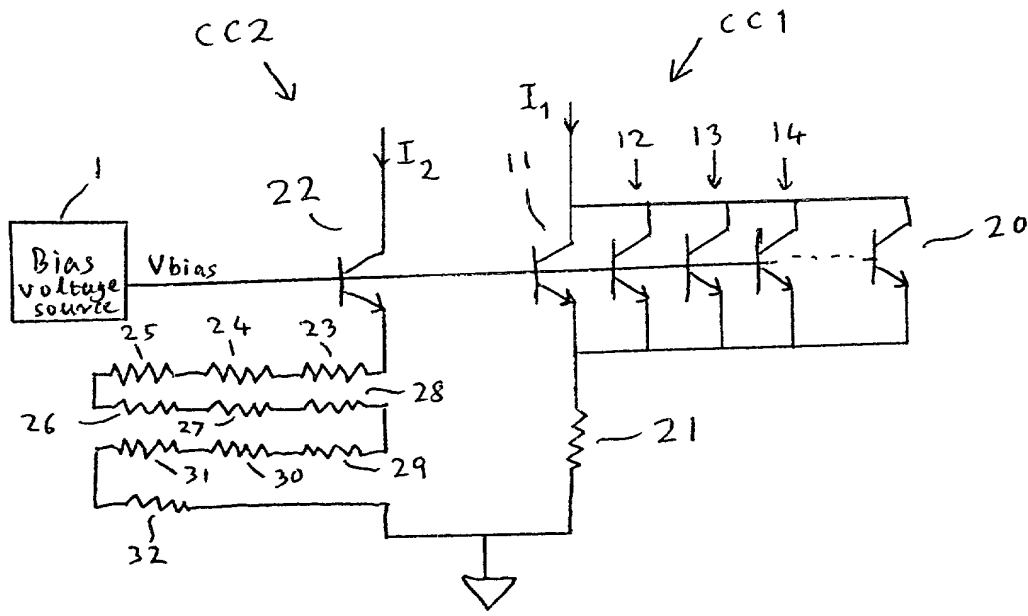


Fig 2

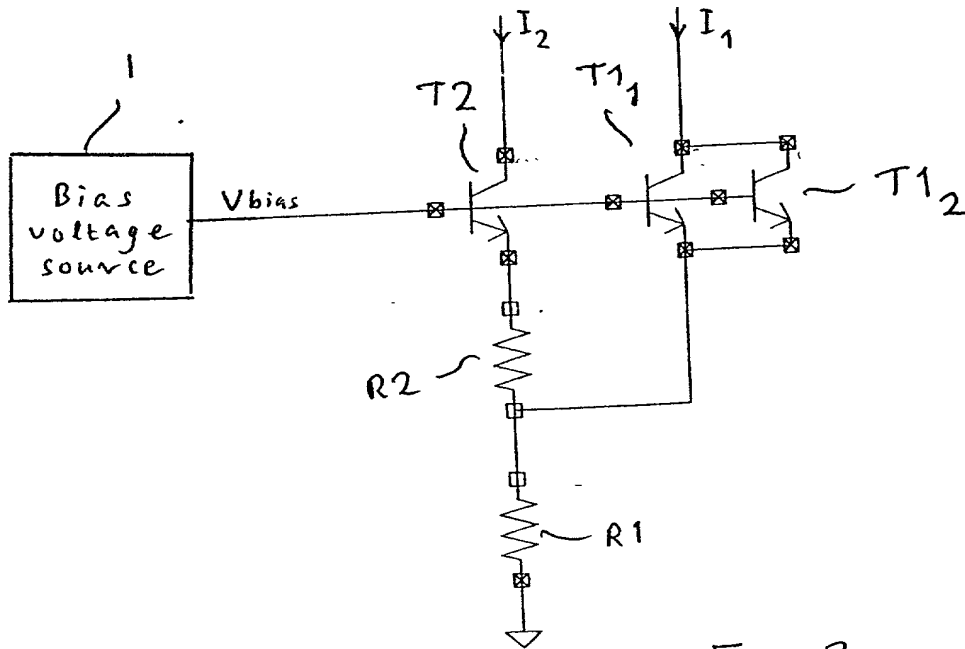


Fig 3

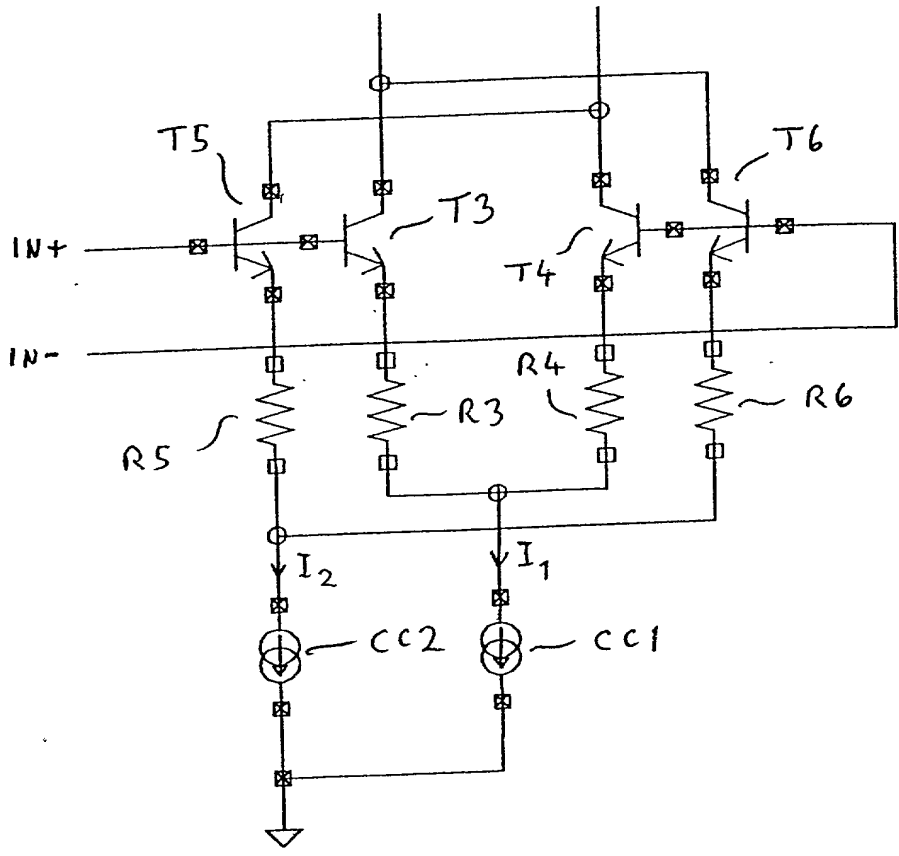


Fig 1



PHOTO SET 500F

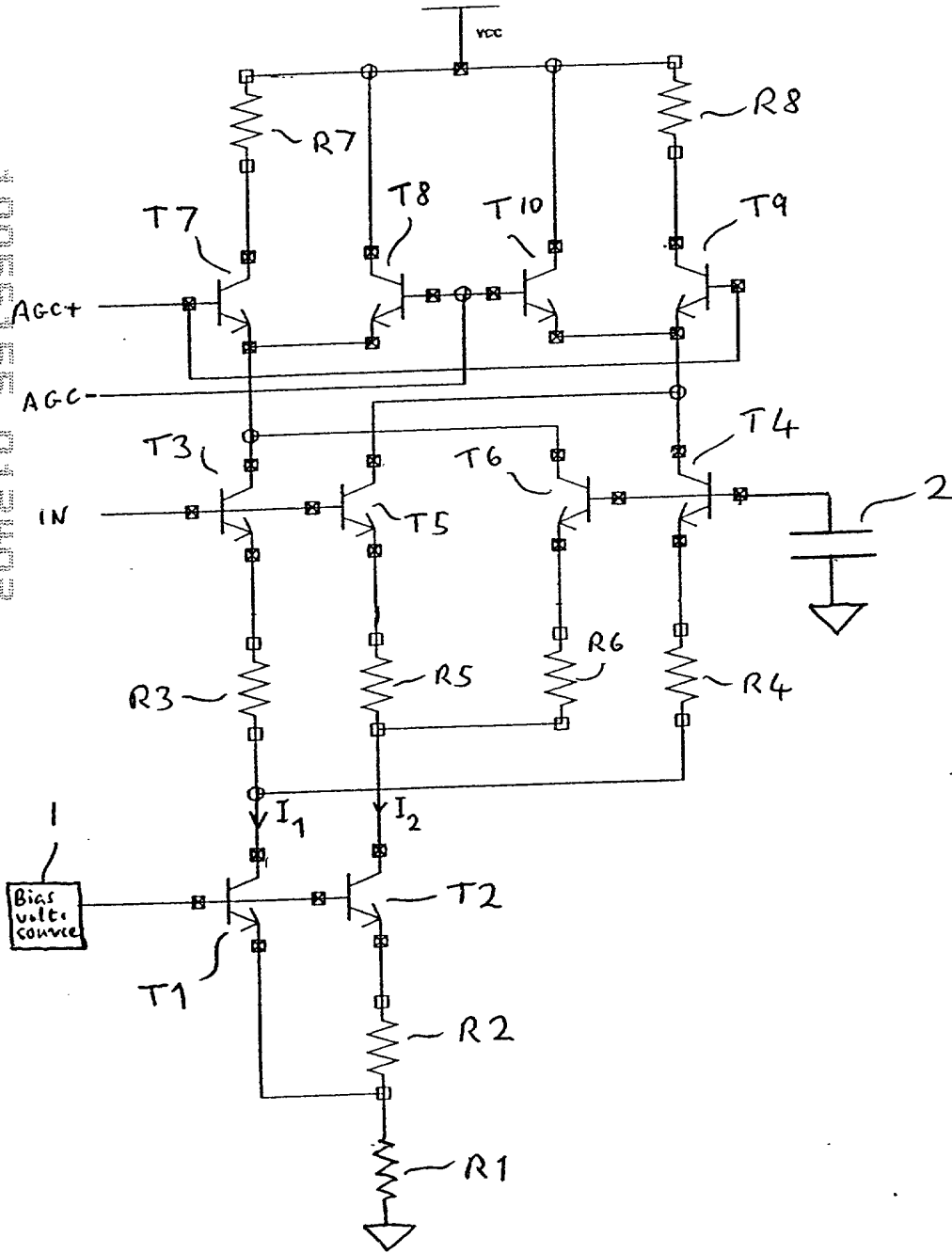


Fig 5